

2-Channel Bridgeable Amplifier

400 W MAX.



LPF

RCA
INPUT

SPEAKER
INPUT

Key Selling Point

- New GM-A series amps incorporate various outstanding features including Automatic Signal Sensing and Turn-ON, and others.
- Achieves higher power output despite compact dimensions.

Amplifier Features

Automatic Signal Sensing and Turn-ON

Pioneer's amplifier automatically selects an input signal mode between the RCA level and the speaker level detecting an input signal. Further, when the receiver is turned on, the amplifier will automatically turn on. When connected with an OEM receiver or receiver without RCA input using speaker line, the amplifier has its power turned on in sync with the receiver.

Growing Power, Shrinking Size

New Pioneer amps brilliantly integrate high-power performance superior to that of previous models in space-efficient size for flexibility of installation in various car cabins.

*Slimmed down 35%**



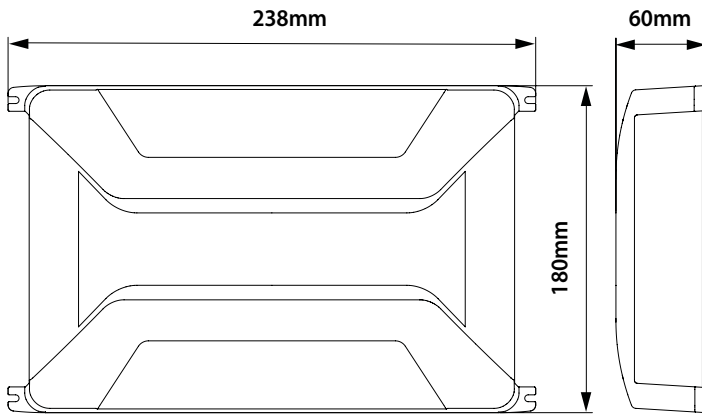
GM-A3602

400W max.

Main Specifications

Max.power out put	120 W x 2 (4Ω) / 200 W x 2 (2Ω) / 400 W x 1 (4Ω Bridged)
Minimal .power out put	60 W x 2(4Ω) or 90 W x 2(2Ω) or 180 W x 1 (4Ω Bridged)
Frequency Response	10 Hz to 70 KHz
Impedence	4Ω (2Ω to 8Ω allowable)
Total Harmonic Distortion(THD)	<0.05% (1 kHz, 4Ω)
S/N Ratio	> 95 dB
Input Level control	300mV - 6.5 V

Dimension



For more information please visit
www.pioneer-mea.com

Year of Release: 2016

Pioneer, Gulf Free Zone Dubai, U.A.E.
Tel: +971 4 8815756, Fax 8816414
Email: support@pioneer-uae.com
www.pioneer-mea.com

Corporate web : www.pioneer.jp

Copyright Info: ©2016 Pioneer MEA. All Rights Reserved. Reproduction in whole or in part without written permission is prohibited. Design, Features and Specifications are subject to change without notice.

