

4-Channel Bridgeable Amplifier with Bass Boost Volume Control

760 W MAX.



Bass Boost Remote

Variable LPF

Variable HPF

RCA INPUT

SPEAKER INPUT

Key Selling Point

- Available variable low pass and high pass filters allow for greater system tuning flexibility. (Variable HPF: GM-A6604/GM-A4604, Variable LPF: GM-A6604/GM-A4604/GM-A5602)
- New GM-A series amps incorporate various outstanding features including Bass Boost, Automatic Signal Sensing and Turn-ON, and others.
- Achieves higher power output despite compact dimensions.

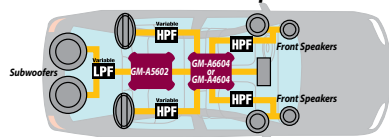
Amplifier Features

Variable LPF/HPF GM-A6604/GM-A4604 LPF HPF GM-A5602 LPF

Variable LPF and HPF allow for adjustable frequency between 40 Hz to 500 Hz* and greater car audio system flexibility according to subwoofer characteristics and personal listening preference.

*GM-A6604/GM-A4604: Variable LPF/HPF (B-ch.), Fixed LPF/HPF (A-ch.), GM-A5602: Variable LPF

Subwoofer dedicated to deeper bass sound



Variable LPF/HPF Crossover Frequency Image



Adjust cutoff frequency flexibly according to subwoofer characteristics and personal listening preference.

Bass Boost

Bass Boost featured in the GM-A6604 can be set to levels variably between 0 to 12 dB for optimal bass. This precise control can enhance the overall balance and impact of all sounds, according to listening preference and music style. The GM-A5602 allows adjustment in three steps: 0 dB, 6 dB or 12 dB.

Automatic Signal Sensing and Turn-ON

Pioneer's amplifier automatically selects an input signal mode between the RCA level and the speaker level detecting an input signal. Further, when the receiver is turned on, the amplifier will automatically turn on. When connected with an OEM receiver or receiver without RCA input using speaker line, the amplifier has its power turned on in sync with the receiver.

Growing Power, Shrinking Size

New Pioneer amps brilliantly integrate high-power performance superior to that of previous models in space-efficient size for flexibility of installation in various car cabins.

*Slimmed down 28%**



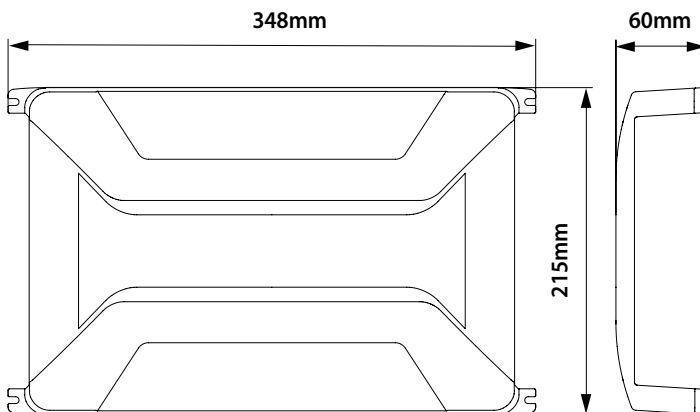
GM-A6604

900 W max.

Main Specifications

Max.power out put	120 W x 4 (4Ω) / 450 W x 2 (2Ω) / 360 W x 2 (4Ω Bridged)
Minimal .power out put	60 W x 4 (4Ω) or 90 W x 4 (2Ω) or 180 W x 2 (4Ω Bridged)
Frequency Response	10 Hz to 70 KHz
Impedence	4Ω (2Ω to 8Ω allowable)
Total Harmonic Distortion(THD)	<0.05% (1 kHz, 4Ω)
S/N Ratio	> 95 dB
Bass Boost	Yes
Input Level control	300mV - 6.5 V

Dimension



For more information please visit
www.pioneer-mea.com

Year of Release: 2016

Pioneer, Gulf Free Zone Dubai, U.A.E.
Tel: +971 4 8815756, Fax 8816414
Email: support@pioneer-uae.com
www.pioneer-mea.com

Corporate web : www.pioneer.jp

Copyright Info: ©2016 Pioneer MEA. All Rights Reserved. Reproduction in whole or in part without written permission is prohibited. Design, Features and Specifications are subject to change without notice.



884938219778