

Class-D Mono Amplifier with Bass Boost Remote

1,600 W MAX.



Variable
LPF

RCA
IN/OUT

SPEAKER
INPUT

Bass Boost
Remote

1ohm

Key Selling Point

- Very efficient and compact, the Class-D amp is capable of amazingly high power output.
- Highly stable, durable circuitry enables 1Ω connection with continuous output.
- Variable LPF and HPF enhance system tuning flexibility. Bass Boost Remote lets listeners optimize the bass level according to preference and type of music being played.

Amplifier Features

Growing Power, Shrinking Size

Pioneer's new extra-efficient Class-D digital amplifiers mark a dramatic improvement in power output capability, yet are much smaller than Class-AB amplifiers. That makes them more versatile in terms of installation as well as performance

Dramatically Higher Power Output

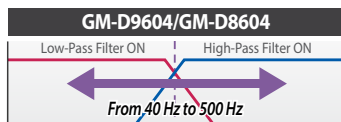
Conventional Class-D Amplifier vs. New Class-D Amplifier

GM-D9500F: 800 W max.	vs	GM-D8604	1,200 W max.
GM-D8500M: 1,200 W max.	vs	GM-D9601	2,400 W max.
GM-D7500M: 800 W max.	vs	GM-D8601	1,600 W max.



For Extra Versatility

Variable LPF/HPF
For extra flexibility, variable LPF and HPF make audio frequency more adjustable according to subwoofer characteristics and personal listening preferences.



GM-D9604	GM-D8604	Variable LPF/HPF: 40 Hz — 500 Hz	Variable LPF	Variable HPF
GM-D9601		Variable LFP: 40 Hz — 240 Hz	Variable LPF	
GM-D8601		Variable LFP: 40 Hz — 240 Hz	Variable LPF	

Highly Reliable Circuit Design

To prevent circuit shutdown, Pioneer's new digital amplifier circuit "Protection Control System" senses its internal temperature and automatically moderates input level accordingly. Stable, durable circuitry lessens the risk of high input power for the unit to achieve 1 Ω connection. This design enhances the flexibility to connect multiple subwoofers to a system.

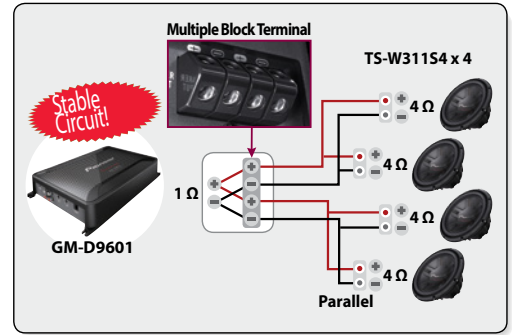
1ohm

Automatic Signal Sensing and Turn-ON

Pioneer's Class-D amplifier automatically selects an input signal mode between the RCA level and the speaker level detecting an input signal. Further, when the receiver is turned on, the amplifier will automatically turn on.

Bass Boost Remote

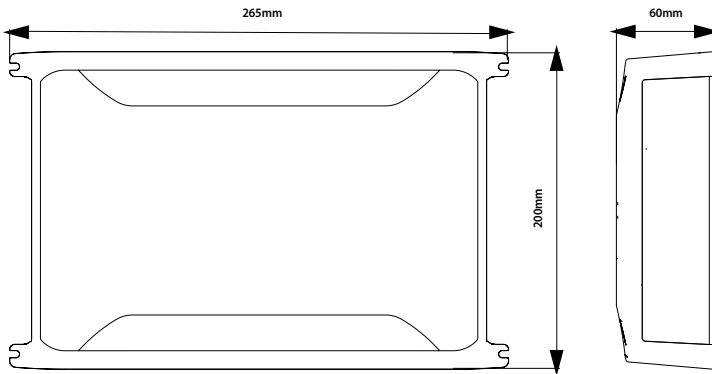
Every new Class-D amplifier has a Bass Boost Remote Controller for optimal bass level adjustment according to listening preferences and music characteristics.



Main Specifications

Max.power out put	600 W x 1 (4Ω) / 1000 W x 1 (2Ω) / 1600 W x 1 (1Ω)
Minimal .power out put	300 W x 1 (4Ω) / 500 W x 1 (2Ω) / 800 W x 1 (1Ω)
Frequency Response	10 Hz to 240 Hz
Impedence	4Ω (1Ω to 8Ω allowable)
Total Harmonic Distortion(THD)	<0.5% (100 Hz)
S/N Ratio	> 100 dB
Bass Boost	Yes
Dimensions	265 mm x 60 mm x 200 mm

Dimension



For more information please visit
www.pioneer-mea.com

Year of Release: 2016

Pioneer, Gulf Free Zone Dubai, U.A.E.
 Tel: +971 4 8815756, Fax 8816414
 Email: support@pioneer-uae.com
www.pioneer-mea.com

Corporate web : www.pioneer.jp

Copyright Info: ©2016 Pioneer MEA. All Rights Reserved. Reproduction in whole or in part without written permission is prohibited. Design, Features and Specifications are subject to change without notice.



884938193854