

6" x 9" 3-Way Champion Series Speaker 400 W MAX.

Champion series



**Key Selling Point**

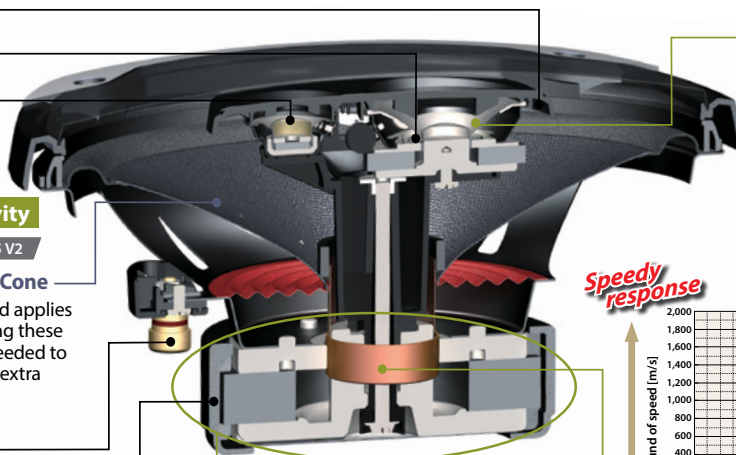
- Inherits technology from Champion series subwoofer for powerful, punchy sound.
- PEEK film cone creates vivid, crisp sound. (TS-6975 V2/TS-1675 V2)
- Basket design for wider installation coverage, without compromising high power input capability. Although the TS-1675 V2 is designated as a 16 cm installation size speaker, its cone is actually 17 cm in size, for more powerful sound.

**Speaker Technology**

Polycarbonate Sub-Grille

PI Film Spider

Film Cone Tweeter



**Punchy Bass** **High Sensitivity**

TS-6975 V2 TS-6965 V2 TS-1675 V2

**Rigid, Light Non-Pressed Paper Cone**

Pioneer carefully selects materials and applies a non-pressed paper process — giving these new cones the light, rigid qualities needed to create punchy, powerful sound, plus extra durability to go to the limit.

**Gold-Plated Screw Terminal**

TS-6975 V2 TS-6965 V2\* TS-1675 V2\*

\* Not screw-type terminal

**Rubber Magnet Cover\***

\*Magnet cover is removable.

TS-6975 V2 TS-6965 V2 TS-1675 V2

**Large Magnetic Circuit for High-Power Drive**

**High Sensitivity**

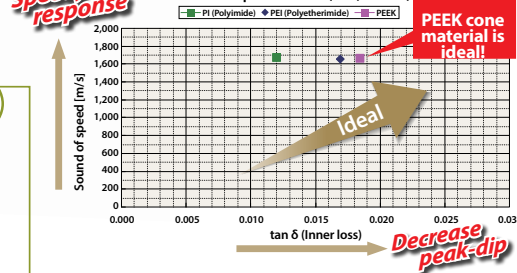
TS-6975 V2 TS-1675 V2

**PEEK Film Cone with Urethane Surround**

New PEEK (Polyetheretherketon) cone material has excellent characteristics of rigidity and durability, even when subjected to heat. This contributes to sharp response (especially across the mid- to high-frequency range) and vivid sound reproduction.

**PEEK Cone Midrange**

Sound of speed x tan δ (at 1,000 Hz)



TS-6975 V2 TS-1675 V2

**Copper-Clad Aluminum Wire Voice Coil**

Lightweight Copper-Clad Aluminum Wire Voice Coil allows for faithful reproduction of louder sounds.

## Punchy Bass

### Dual Layer Urethane Surround

TS-6975 V2 TS-6965 V2 TS-1675 V2

Improves cone stiffness. Greatly reduces unnecessary resonance that can compromise sound quality.

### Champion Series Speaker Cross Section Detail



#### Upper Urethane Surround

Suppresses unwanted peaks and dips in the high-frequency range.

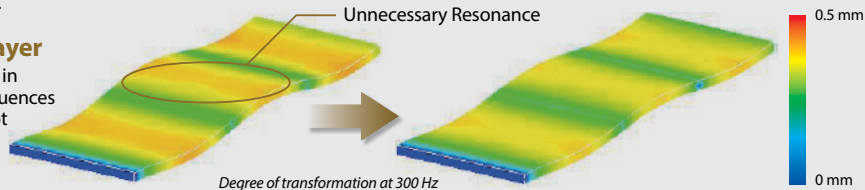
#### Lower Urethane Surround

Reinforces strength and durability.

Dual-Layer Surround technology originally for the Champion series subwoofer.

### Conventional Single Layer

Wave-like cone vibration results in unnecessary resonance that influences tonal quality, so this cone cannot reproduce original sound linearly.

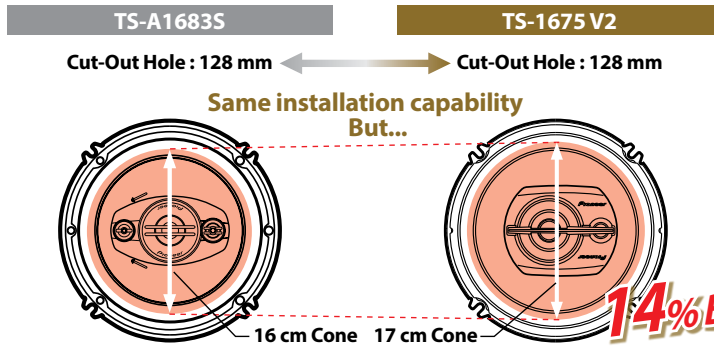


### New Dual Layer

Minimizes unnecessary cone resonance for higher cone durability and clearer sound.

## Larger-Than-Normal Cone for 16 cm Cutout

The TS-1675 V2 can be installed in a 16 cm- or 17 cm-diameter cutout hole. Superior bass response comes from a cone diameter larger than that of a conventional 16 cm speaker. Shallow basket depth enhances versatility of installation.



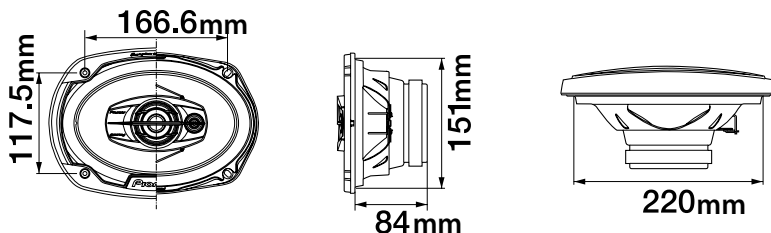
## Specifications

	TS-6975 V2	TS-6965 V2	TS-1675 V2
Size	6" x 9"	6" x 9"	16 cm
Max. Music Power (Nominal)	500 W (80 W)	400 W (80 W)	300 W (50 W)
Frequency Response	30 Hz to 25 kHz	30 Hz to 22 kHz	35 Hz to 20 kHz
Sensitivity (1 W/1 m)	92 dB	93 dB	92 dB
Impedance	4 Ω	4 Ω	4 Ω
Mounting Depth	92 mm	84 mm	58 mm
Cut-Out Dimensions	151 mm x 220 mm	151 mm x 220 mm	ø128 mm

## Main Specifications

Max music power output	Nominal music power output	Frequency Response	Sensitivity	Impedance	Size
400 W	80 W	30 Hz to 22 KHz	93 dB	4 Ω	6" x 9"

## Dimension



For more information please visit  
[www.pioneer-mea.com](http://www.pioneer-mea.com)

Year of Release: 2016

Pioneer, Gulf Free Zone Dubai, U.A.E.  
 Tel: +971 4 8815756, Fax 8816414  
 Email: support@pioneer-uae.com  
[www.pioneer-mea.com](http://www.pioneer-mea.com)

Corporate web : [www.pioneer.jp](http://www.pioneer.jp)

Copyright Info: ©2016 Pioneer MEA. All Rights Reserved. Reproduction in whole or in part without written permission is prohibited. Design, Features and Specifications are subject to change without notice.



884938127103