

6" x 9" 3-Way Champion Series Speaker 500 W MAX.

Champion series



Key Selling Point

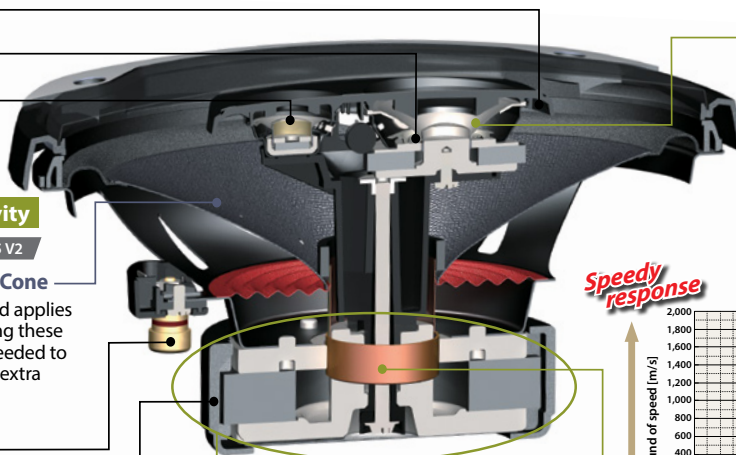
- Inherits technology from Champion series subwoofer for powerful, punchy sound.
- PEEK film cone creates vivid, crisp sound. (TS-6975 V2/TS-1675 V2)
- Basket design for wider installation coverage, without compromising high power input capability. Although the TS-1675 V2 is designated as a 16 cm installation size speaker, its cone is actually 17 cm in size, for more powerful sound.

Speaker Technology

Polycarbonate Sub-Grille

PI Film Spider

Film Cone Tweeter



Punchy Bass **High Sensitivity**

TS-6975 V2 TS-6965 V2 TS-1675 V2

Rigid, Light Non-Pressed Paper Cone

Pioneer carefully selects materials and applies a non-pressed paper process — giving these new cones the light, rigid qualities needed to create punchy, powerful sound, plus extra durability to go to the limit.

Gold-Plated Screw Terminal

TS-6975 V2 TS-6965 V2* TS-1675 V2*

* Not screw-type terminal

Rubber Magnet Cover*

*Magnet cover is removable.

TS-6975 V2 TS-6965 V2 TS-1675 V2

Large Magnetic Circuit for High-Power Drive

High Sensitivity

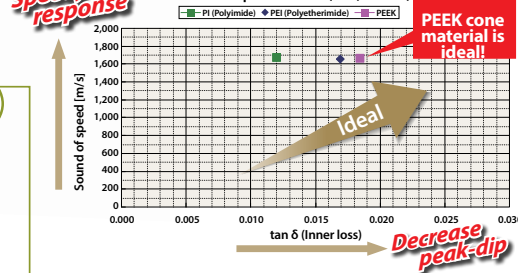
TS-6975 V2 TS-1675 V2

PEEK Film Cone with Urethane Surround

New PEEK (Polyetheretherketon) cone material has excellent characteristics of rigidity and durability, even when subjected to heat. This contributes to sharp response (especially across the mid- to high-frequency range) and vivid sound reproduction.

PEEK Cone Midrange

Sound of speed x tan δ (at 1,000 Hz)



Speedy response

PEEK cone material is ideal!

Decrease peak-dip

TS-6975 V2 TS-1675 V2

Copper-Clad Aluminum Wire Voice Coil

Lightweight Copper-Clad Aluminum Wire Voice Coil allows for faithful reproduction of louder sounds.

Punchy Bass

Dual Layer Urethane Surround

TS-6975 V2 TS-6965 V2 TS-1675 V2

Improves cone stiffness. Greatly reduces unnecessary resonance that can compromise sound quality.

Champion Series Speaker Cross Section Detail



Upper Urethane Surround

Suppresses unwanted peaks and dips in the high-frequency range.

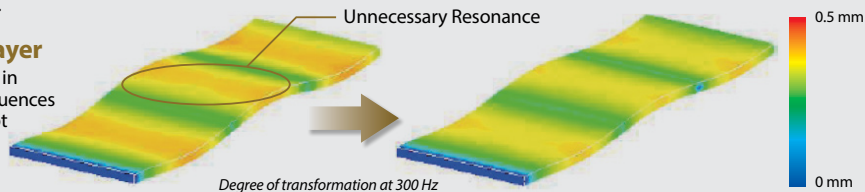
Lower Urethane Surround

Reinforces strength and durability.

Dual-Layer Surround technology originally for the Champion series subwoofer.

Conventional Single Layer

Wave-like cone vibration results in unnecessary resonance that influences tonal quality, so this cone cannot reproduce original sound linearly.

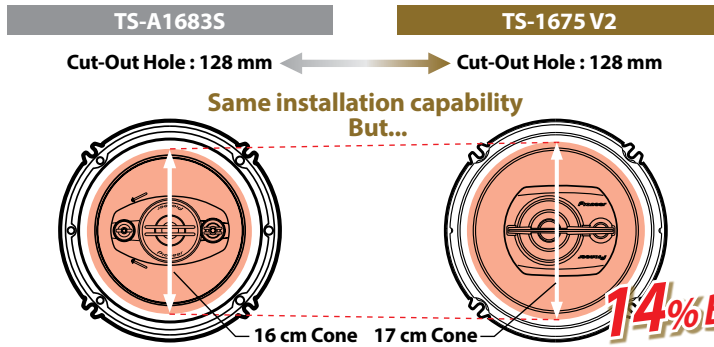


New Dual Layer

Minimizes unnecessary cone resonance for higher cone durability and clearer sound.

Larger-Than-Normal Cone for 16 cm Cutout

The TS-1675 V2 can be installed in a 16 cm- or 17 cm-diameter cutout hole. Superior bass response comes from a cone diameter larger than that of a conventional 16 cm speaker. Shallow basket depth enhances versatility of installation.



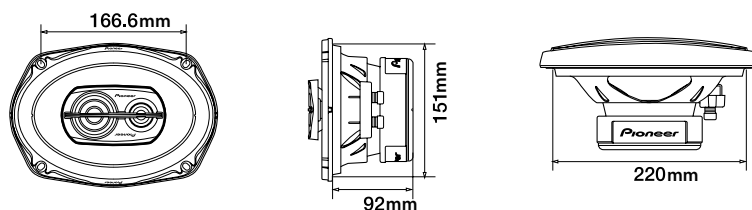
Specifications

	TS-6975 V2	TS-6965 V2	TS-1675 V2
Size	6" x 9"	6" x 9"	16 cm
Max. Music Power (Nominal)	500 W (80 W)	400 W (80 W)	300 W (50 W)
Frequency Response	30 Hz to 25 kHz	30 Hz to 22 kHz	35 Hz to 20 kHz
Sensitivity (1 W/1 m)	92 dB	93 dB	92 dB
Impedance	4 Ω	4 Ω	4 Ω
Mounting Depth	92 mm	84 mm	58 mm
Cut-Out Dimensions	151 mm x 220 mm	151 mm x 220 mm	ø128 mm

Main Specifications

Max music power output	Nominal music power output	Frequency Response	Sensitivity	Impedance	Size
500 W	80 W	30 Hz to 25 KHz	92 dB	4Ω	6" x 9"

Dimension



For more information please visit
www.pioneer-mea.com

Year of Release: 2016

Pioneer, Gulf Free Zone Dubai, U.A.E.
 Tel: +971 4 8815756, Fax 8816414
 Email: support@pioneer-uae.com
www.pioneer-mea.com

Corporate web : www.pioneer.jp

Copyright Info: ©2016 Pioneer MEA. All Rights Reserved. Reproduction in whole or in part without written permission is prohibited. Design, Features and Specifications are subject to change without notice.

