

16 cm Component Speaker Package

350 W MAX.

MULTILAYER
MICA
MATRIX
CONE

High
Dynamic Range



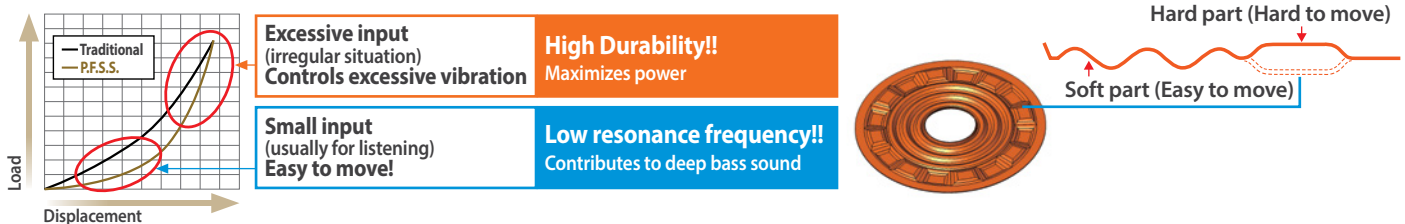
Key Selling Point

- Deeper bass and clearer high frequencies sound reproduction is realized with higher dynamic range for greater listening experiences.
- With the balanced combination of the parts, higher power handling ability is realized for more impactful sound and vibrant music playback (Max Power increased for TS-A1676S and 6" x 9" models).
- High-quality appearance and universal design enhance the vehicle interior. High durability can withstand even severe use (fully covered mesh grille included for 6" x 9" models).

Speaker Technology

Progressive Flex Suspension System (P.F.S.S. patented technology, for 6" x 9" models and TS-A1686S)

With exclusive material inherited from Pioneer's high-end PRS Series, this system realizes ideal sound reproduction. At a small input, its soft part makes movement smooth and reproduces clear sound and at excessive input, its hard part controls excessive vibration and prevents movement error.



TS-A1605C Cut View

Smooth Off-Axis Response

Soft-Dome Diaphragm

Sound Absorbing Material

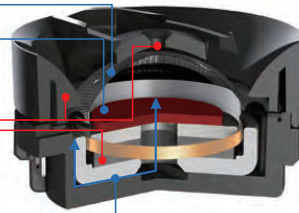
Loud & Clear

Wave Guide Focusing Design

Neodymium Magnet

Low Crossover Frequency

Large Cavity



Installation Flexibility — Tweeter Mounting Options



Flush Mount Type



Slant Type



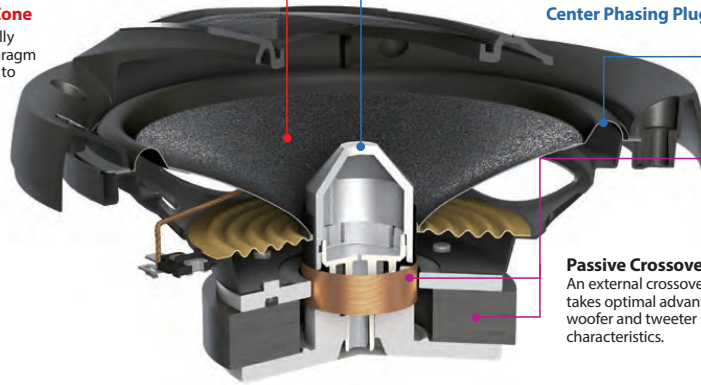
Custom-Fit Type

This newly developed tweeter disperses sound more widely with superior control, providing listeners with the best sound under all conditions, regardless of listening position or car.

Loud & Clear

Multilayer Mica Matrix Cone

Various materials were carefully combined to develop a diaphragm of extra lightness and rigidity to reproduce sound clearly with outstanding responsiveness, sensitivity and a suitable degree of internal loss.



Low Distortion

Center Phasing Plug

High Sensitivity

Light Weight Elastic Polymer Surround

High Power

Coil & Magnet for Maximizing Force Power

Passive Crossover Network

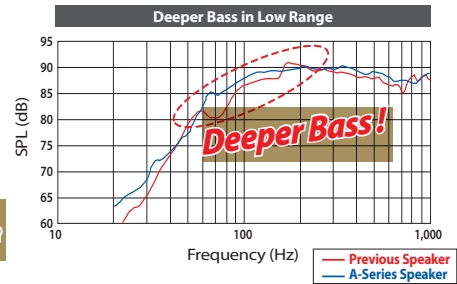
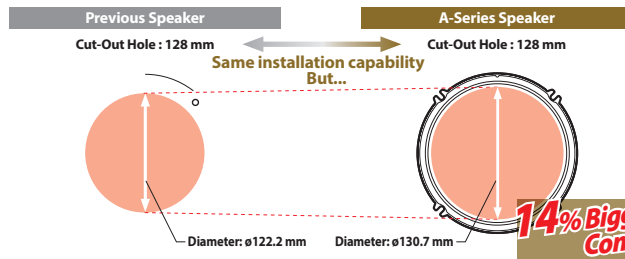
An external crossover network takes optimal advantage of woofer and tweeter sound characteristics.



Larger-Than-Normal Cone for 16 cm Cutout

TS-A1605C / TS-A1685S

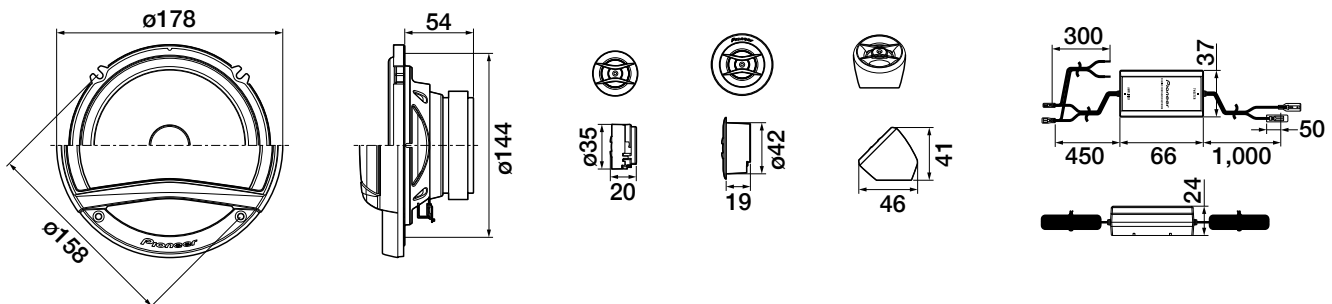
A-Series speakers have bigger cones than, but same cut-out dimensions to previous speakers. The result is deeper low-range sound reproduction.



Main Specifications

Max input	Nominal Input	Frequency Response	Sensitivity	Impedance	Size	Tweeter size
350 W	60 W	32 Hz to 43 KHz	91 dB	4Ω	16cm	20 mm

Dimension



For more information please visit
www.pioneer-mea.com

Year of Release: 2016

Pioneer, Gulf Free Zone Dubai, U.A.E.
 Tel: +971 4 8815756, Fax 8816414
 Email: support@pioneer-uae.com
www.pioneer-mea.com

Corporate web : www.pioneer.jp



884938311434

Copyright Info: ©2016 Pioneer MEA. All Rights Reserved. Reproduction in whole or in part without written permission is prohibited. Design, Features and Specifications are subject to change without notice.