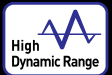


16 cm Component Speaker Package

350 W MAX.



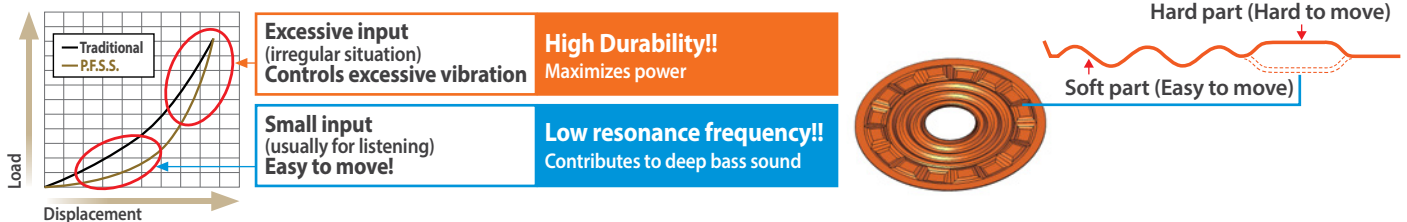
**Key Selling Point**

- Deeper bass and clearer high frequencies sound reproduction is realized with higher dynamic range for greater listening experiences.
- With the balanced combination of the parts, higher power handling ability is realized for more impactful sound and vibrant music playback (Max Power increased for TS-A1676S and 6" x 9" models).
- High-quality appearance and universal design enhance the vehicle interior. High durability can withstand even severe use (fully covered mesh grille included for 6" x 9" models).

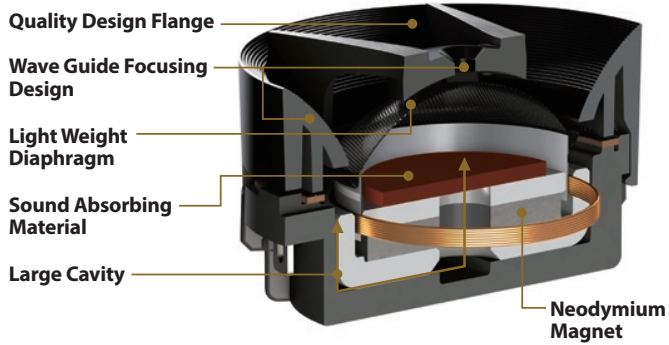
**Speaker Technology**

**Progressive Flex Suspension System (P.F.S.S. patented technology, for 6" x 9" models and TS-A1686S)**

With exclusive material inherited from Pioneer's high-end PRS Series, this system realizes ideal sound reproduction. At a small input, its soft part makes movement smooth and reproduces clear sound and at excessive input, its hard part controls excessive vibration and prevents movement error.



## TS-A1606C Cut View



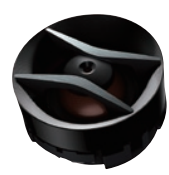
## Installation Flexibility — Tweeter Mounting Options



Flush Mount Type



Slant Type



Custom-Fit Type

The flexible three-way installation tweeter disperses sound more widely with superior control, providing listeners with the best sound under all conditions, regardless of listening position or car.

## External Passive Crossover Network

An external crossover network takes optimal advantage of woofer and tweeter sound characteristics.



## P.F.S.S. Spider\*

Achieves the best balance between sound quality and high durability. This system realizes ideal sound reproduction.

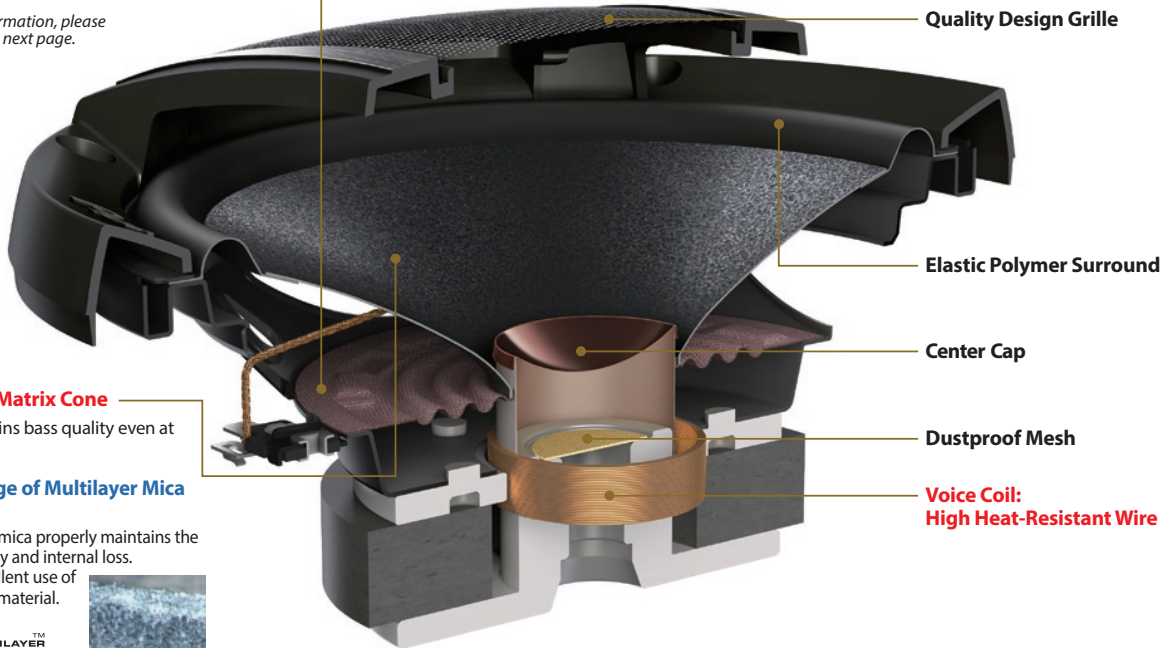
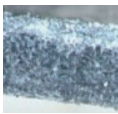
\* For the detailed information, please see the column on the next page.

## Multilayer Mica Matrix Cone

Consistently maintains bass quality even at high input.

## Microscopic Image of Multilayer Mica Matrix Cone

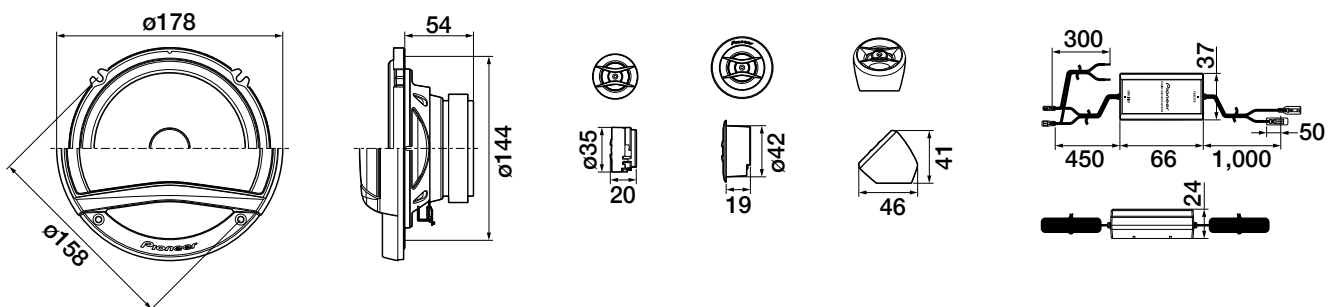
A surface containing mica properly maintains the cone's superior rigidity and internal loss. The back makes excellent use of light, water-resistant material.



## Main Specifications

Max input	Nominal Input	Frequency Response	Sensitivity	Impedance	Size	Tweeter size
350 W	60 W	32 Hz to 43 KHz	91 dB	4Ω	16cm	20 mm

## Dimension



For more information please visit  
[www.pioneer-mea.com](http://www.pioneer-mea.com)

Year of Release: 2016

Pioneer, Gulf Free Zone Dubai, U.A.E.  
Tel: +971 4 8815756, Fax 8816414  
Email: support@pioneer-uae.com  
[www.pioneer-mea.com](http://www.pioneer-mea.com)

Corporate web : [www.pioneer.jp](http://www.pioneer.jp)

Copyright Info: ©2016 Pioneer MEA. All Rights Reserved. Reproduction in whole or in part without written permission is prohibited. Design, Features and Specifications are subject to change without notice.

