

2-Channel Bridgeable Amplifier with Bass Boost

1000 W MAX.



LPF

**RCA
INPUT**

**SPEAKER
INPUT**

Bass Boost

Key Selling Point

- Higher power output contained in compact dimension
- Outstanding features include Bass Boost, Automatic Signal Sensing & Turn-On, and others.

Amplifier Features

Automatic Signal Sensing and Turn-ON

Pioneer's amplifier automatically selects an input signal mode between the RCA level and the speaker level detecting an input signal. Further, when the receiver is turned on, the amplifier will automatically turn on. When connected with an OEM receiver or receiver without RCA input using speaker line, the amplifier has its power turned on in sync with the receiver.

Bass Boost

You can choose among 0 dB, 6 dB, and 12 dB Bass Boost amplification levels according to preference. This control can enhance the balance and impact of overall sound, according to listening preference and music style.

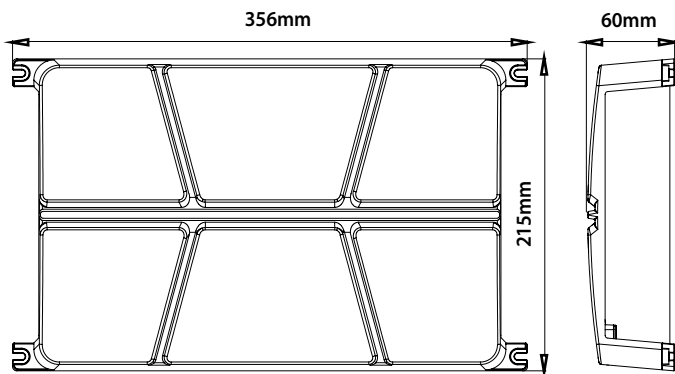
Bass Boost



/// Main Specifications

Max. Wattage	300 W x 2 (4Ω) / 500 W x 2 (2Ω) / 1000 W x 1 (4Ω Bridged)
Wattage RMS	60 W x 4(4Ω) or 95 W x 4(2Ω) or 190 W x 2 (4Ω Bridged)
Frequency Response	10 Hz to 70 KHz
Impedence	2Ω to 8Ω allowable
Total Harmonic Distortion(THD)	<0.05% (1 kHz, 4Ω)
S/N Ratio	> 94 dB
Input Level control	300mV - 6.5 V

/// Dimension



For more information please visit
www.pioneer-mea.com

Year of Release: 2016

Pioneer, Gulf Free Zone Dubai, U.A.E.
Tel: +971 4 8815756, Fax 8816414
Email: support@pioneer-uae.com
www.pioneer-mea.com

Corporate web : www.pioneer.jp

Copyright Info: ©2016 Pioneer MEA. All Rights Reserved. Reproduction in whole or in part without written permission is prohibited. Design, Features and Specifications are subject to change without notice.

