

66 mm Component mid-range speaker 200 W MAX.

OPEN & SMOOTH™



**Key Selling Point**

- Audiophile-grade speakers designed to stunningly recreate the musical performance in exact detail.
- Meticulous attention to detail in the materials and craftsmanship ensure the most subtle musical nuances are reproduced with extraordinary accuracy.
- New midrange component delivers amazing clarity to male and female vocal range.

**Speaker Technology**

**Smooth Off-Axis Response**

**Soft-Dome Diaphragm**  
The FEM (Finite Element Method) designed dome allows wide sound dispersion with flat & even response.

**Sound Absorbing Material**  
Absorbs the back wave reflection from the moving tweeter diaphragm, preventing phase shifts or frequency cancellation-producing a smoother, more linear sound.

**Low Distortion**

**Canceling Magnet**  
Reinforces the magnetic flux density to provide greater control and precisely linear performance.

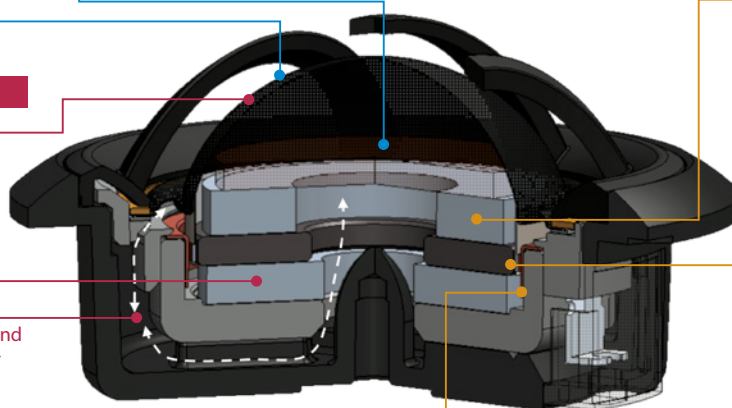
**Lower Crossover Frequency**

**28 mm Large Sized Diaphragm**

**Main Magnet**

**Back Chamber**

By utilizing a sealed rear cavity, low-end response of the tweeter is extended - allowing for a smoother transition infrequencies between tweeter and midrange.



**PCOCC® Voice Coil Wire**

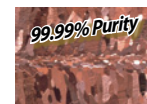
The purity of the copper in voice coil wire plays a significant role in sound quality, which is why the use of OFC (Oxygen-Free Copper) is a common practice. But for a Pioneer PRS speaker that isn't good enough.

Pioneer features the world's-first use of the pure crystal casting process (PCOCC) in a voice coil wire. This "five nines" purity (99.9997%, compared to OFC's 99.99%) results in wires with superior conductivity, lower electrical resistance and reduced skin effect.

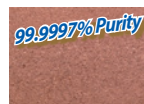
\*PCOCC is registered trademark of Furukawa Electric Co., Ltd.

**OFC Short Ring**

Focuses the magnetic field where it needs to be, increasing efficiency, lowering distortion and providing for more linear voice coil movement.



OFC



PCOCC®

### High Linearity Sound

Linear Moving Force System for ultra low distortion and high definition in bass sound.

### Voice Coil with Short-Winding Length

Short voice coil (underhung design) provides maximum control with very light weight, providing high sensitivity and superior musical detail.

### 2nd Generation Multi-Layer IMX (Injection Molded Matrix) Cone

### Inside Magnetic Type with Neodymium Magnet

### Micro Fiber Surround: Maximum Musical Response

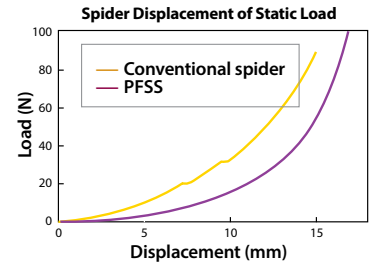
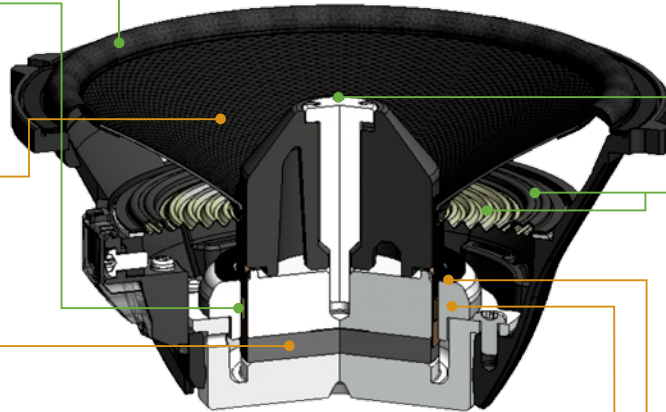
The high-density micro fiber material surrounding the woofer of a PRS speaker is very light and low internal loss characteristics. The Micro Fiber Surround realizes faster response and more accurate bass reproduction that allows all music to be heard to greatest advantage.

### AL/Brass Dual Metal Center Plug

Two different metals combine to reduce resonance.

### Progressive Flex Suspension System (PFSS)

Most spiders are all brawn and no brains, but Pioneer's PFSS is a "smart spider" that adapts to your music dynamically. When listening to soft music, it delivers the detail and fast response required, but when the big crescendo hits, it provides the precise control as well as the long excursion required for exceptional sound quality.



### Low Distortion

#### OFC Short Ring

Focuses the magnetic field where it needs to be, increasing efficiency, lowering distortion and providing for more linear voice coil movement.

#### Overhung Top Plate

Focuses the magnetic field towards the voice coil.

TS-C172PRS  
67 mm (TS-C172PRS/TS-C171PRS)  
73.4 mm (TS-C172PRS)  
122 mm (TS-C171PRS)

### Installation Capability Improvement!!

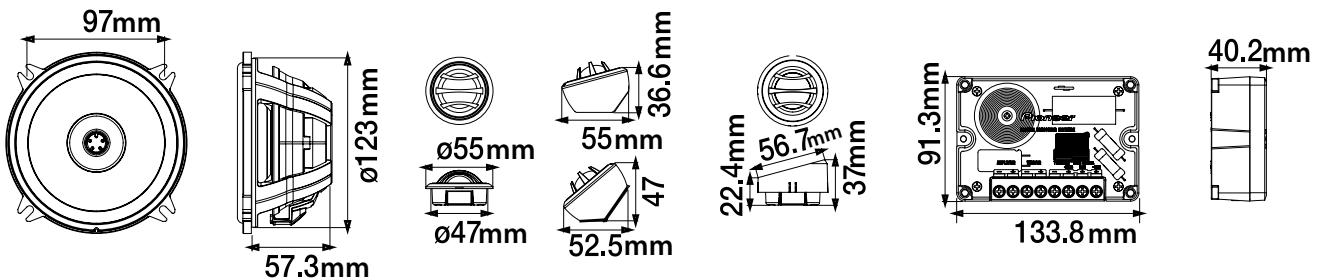
Conventional Model (TS-C171PRS)

New inner-magnet design with Neodymium magnet allows the basket structure to be significantly smaller, and allows the woofer to fit easier into many doors - avoiding obstructions like window rails.

## Main Specifications

Max music power output	Nominal music power output	Frequency Response	Sensitivity	Impedance	Size
200 W	60 W	48 Hz to 40 KHz	84 dB	4Ω	66 mm

## Dimension



For more information please visit  
[www.pioneer-mea.com](http://www.pioneer-mea.com)

Year of Release: 2016

Pioneer, Gulf Free Zone Dubai, U.A.E.  
 Tel: +971 4 8815756, Fax 8816414  
 Email: support@pioneer-uae.com  
[www.pioneer-mea.com](http://www.pioneer-mea.com)

Corporate web : [www.pioneer.jp](http://www.pioneer.jp)

Copyright Info: ©2016 Pioneer MEA. All Rights Reserved. Reproduction in whole or in part without written permission is prohibited. Design, Features and Specifications are subject to change without notice.



4988028110641