

ib-FLAT

20 cm (8") Shallow-Mount Component Subwoofer

600 W max.



Key Selling Point

- Oversized cone structure provides greater surface area to reproduce high SPL with no increase in basket size.
- Mica-reinforced IMPP™ cone reproduces powerful bass.
- Unique shallow structure of dual spiders, a dual-layer surround and a 4-layer overhung voice coil provides wide excursion and linearity even at high power input.
- OEM-FIT™ enables drop-in OEM audio system replacement or upgrading. (TS-SW2002D2).

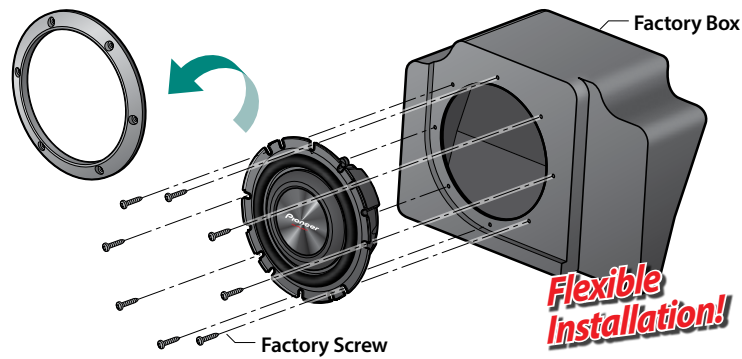
Main Specifications

Max. Music Power	600 W
Nominal Music Power	150 W
Frequency Response	20 Hz to 200 Hz
Sensitivity	86dB
Impedance	2Ω x 2
Size	20 cm

Subwoofer Technology

Ultimate Installation Flexibility

Removal of the detachable gasket from the TS-SW2002D2 uncovers several screw holes that allow for flexible installation in various types of vehicles. The subwoofer's mounting depth has been carefully determined according to survey of vehicle parameters, resulting in development of a shallow type subwoofer that fits right into the factory box.

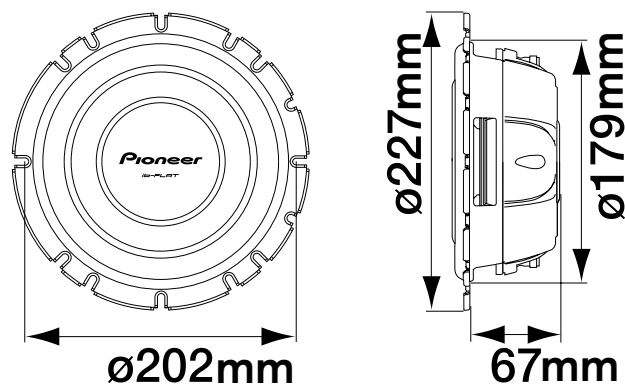


Dual Voice Coil

TS-SW2002D2 is designed with 2 Ω DVC (Dual Voice Coil) that can be matched with various impedance OEM subwoofers and allows users to select 1 Ω or 4 Ω wiring.



Dimension



For more information please visit
www.pioneer-mea.com

Year of Release: 2016

Pioneer, Gulf Free Zone Dubai, U.A.E.
Tel: +971 4 8815756, Fax 8816414
Email: support@pioneer-uae.com
www.pioneer-mea.com

Corporate web : www.pioneer.jp

Copyright Info: ©2016 Pioneer MEA. All Rights Reserved. Reproduction in whole or in part without written permission is prohibited. Design, Features and Specifications are subject to change without notice.



884938234849