



1,500 W MAX.

ib-FLAT

30 cm (12") Champion Series PRO Subwoofer



Key Selling Point

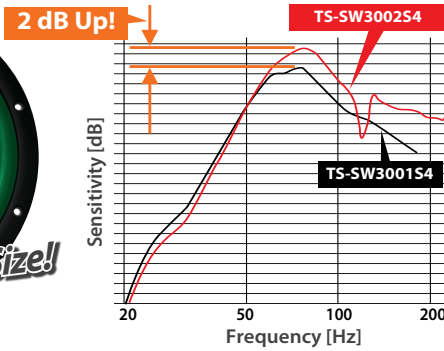
- Oversized cone structure provides greater surface area to reproduce high SPL with no increase in basket size.
- Mica-reinforced IMPP™ cone reproduces powerful bass.
- Unique shallow structure of dual spiders, a dual-layer surround and a 4-layer overhung voice coil provides wide excursion and linearity even at high power input.

Main Specifications

Max. Music Power	1500 W
Nominal Music Power	400 W
Frequency Response	20 Hz to 125 Hz
Sensitivity	93dB
Impedance	4Ω
Size	30 cm

Oversized Cone

The TS-SW3002S4 utilizes an oversized cone structure that provides greater cone surface without changing its standard external dimension. This cone surface allows the subwoofer to produce louder and deeper bass by moving more air.



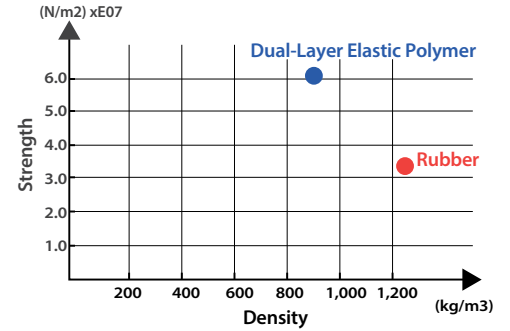
Mica Reinforced IMPP Cone

The cone structure of this subwoofer uses a highly rigid cone made with MICA injected molded resin which creates a rigid and durable cone, giving it the ability to produce accurate bass.

More Punchy Bass!

Dual-Layer Elastic Polymer Surround

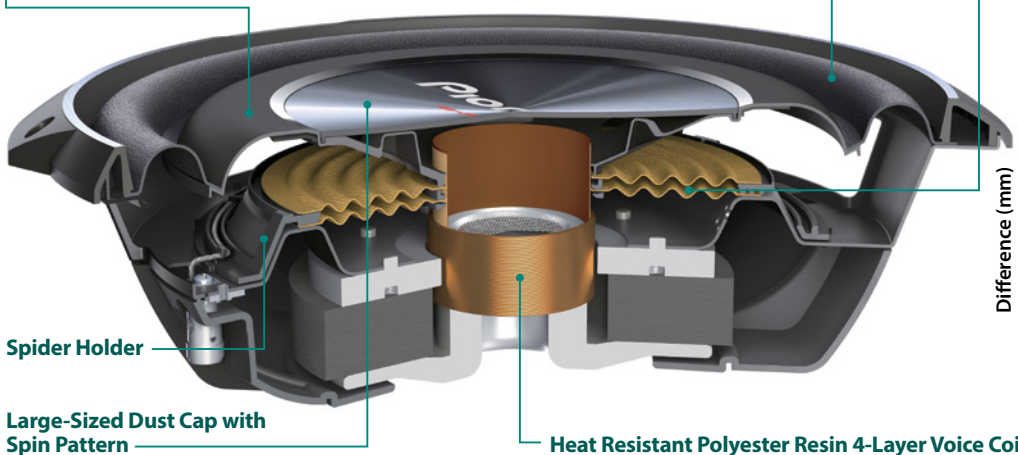
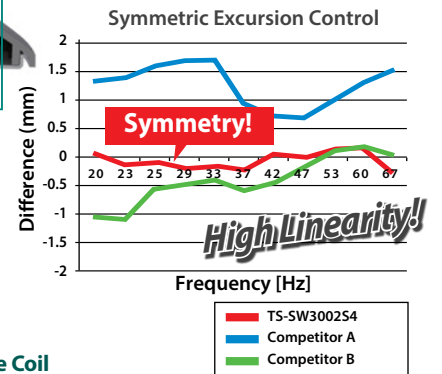
Dramatically improves durability and lightness, for superior response, especially for louder volume.



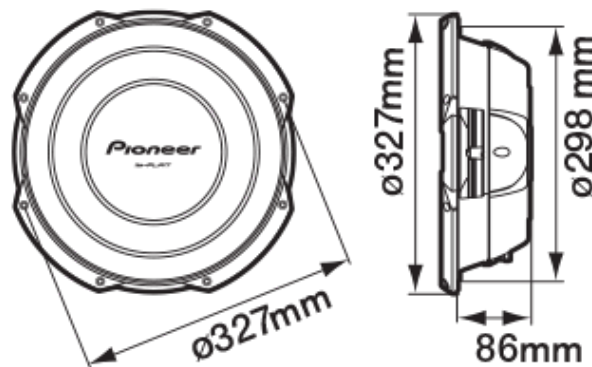
High Durability despite Lightweight!

Dual Spider

Two spiders supporting the voice coil effectively dampen large cone vibration and enhance linearity of sound reproduction.



Dimension



For more information please visit www.pioneer-mea.com

Year of Release: 2016

Pioneer, Gulf Free Zone Dubai, U.A.E.
Tel: +971 4 8815756, Fax 8816414
Email: support@pioneer-uae.com
www.pioneer-mea.com

Corporate web : www.pioneer.jp



Copyright Info: ©2016 Pioneer MEA. All Rights Reserved. Reproduction in whole or in part without written permission is prohibited. Design, Features and Specifications are subject to change without notice.