

30 cm (12") Bass-Reflex Subwoofer

1,300 W MAX.



Key Selling Point

- High power and loud sound are achieved by incorporating a long voice coil and large magnetic circuit.
- Instantly installable — there's no need to make an enclosure for the subwoofer.

Main Specifications

| | |
|---------------------|-----------------|
| Max. Music Power | 1300 W |
| Nominal Music Power | 350 W |
| Frequency Response | 20 Hz to 125 Hz |
| Sensitivity | 95dB |
| Impedance | 4Ω |
| Size | 30cm |

IMPP Composite Seamless Cone

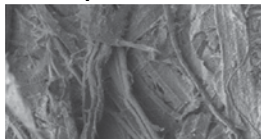
An extremely rigid yet lightweight cone is vital to prevent cone failure at high sound pressure levels. Pioneer's IMPP Composite Seamless Cones meet this need perfectly.

Urethane Rolled Edge with High Compliance

Cone Body with Blended Fiber

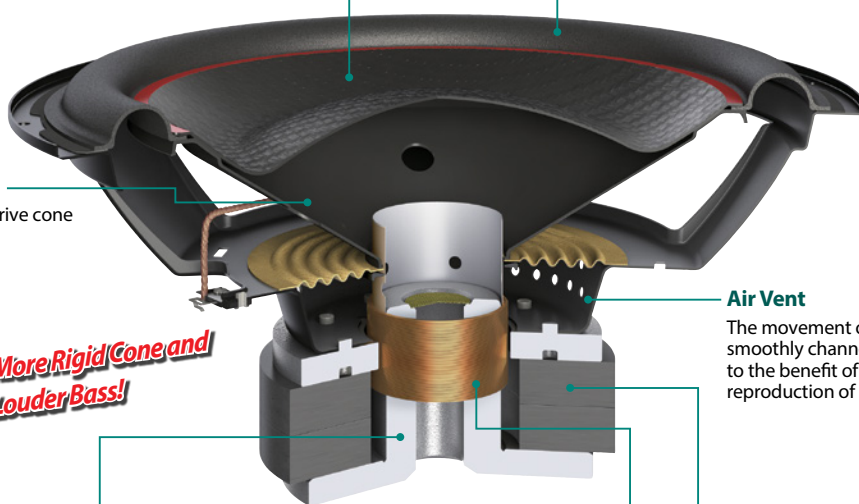
The fiber material blended into the drive cone improves sound response.

Microscopic View



Cone body with fiber

More Rigid Cone and Louder Bass!



Air Vent

The movement of air within the subwoofer is smoothly channeled for optimal ventilation to the benefit of quick response and clear reproduction of bass.

Long Voice Coil with Enlarged Wire Diameter and Aluminum Bobbin

Use of thick magnetic wire and an aluminum bobbin ensures excellent durability to withstand high input power.

Large and Projected Yoke Pole

Extending the yoke pole of the upper part to the upper side maintains symmetry of vertical cone motion, for sound reproduction of great linearity and accuracy.

Double Stacked High Energy Magnets

With two large magnets, the cone can be driven at high power.

| Previous Model | | Bass-Reflex Subwoofer |
|----------------|--|---|
| | Bigger Pole | |
| | Thicker Plate | |
| | Thicker Wire Gauge & Wider Wind Width | |
| | Bigger Magnet | |
| | | <i>Louder Bass and More Accurate Sound!</i> |

Dimension

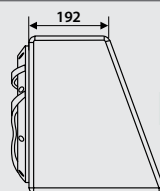
Eye-catching and Functional Port (TS-WX305B)



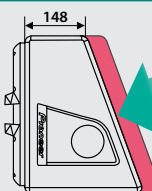
Installable in Less Space than Previous Subwoofer (TS-WX305B)

Producing high-power sound from an even shallower enclosure depth for easier installation.

Previous Model



TS-WX305B



23% Shallower
Easy Installation!

For more information please visit www.pioneer-mea.com

Year of Release: 2016

Pioneer, Gulf Free Zone Dubai, U.A.E.
Tel: +971 4 8815756, Fax 8816414
Email: support@pioneer-uae.com
www.pioneer-mea.com

Corporate web : www.pioneer.jp

Copyright Info: ©2016 Pioneer MEA. All Rights Reserved. Reproduction in whole or in part without written permission is prohibited. Design, Features and Specifications are subject to change without notice.



884938225988